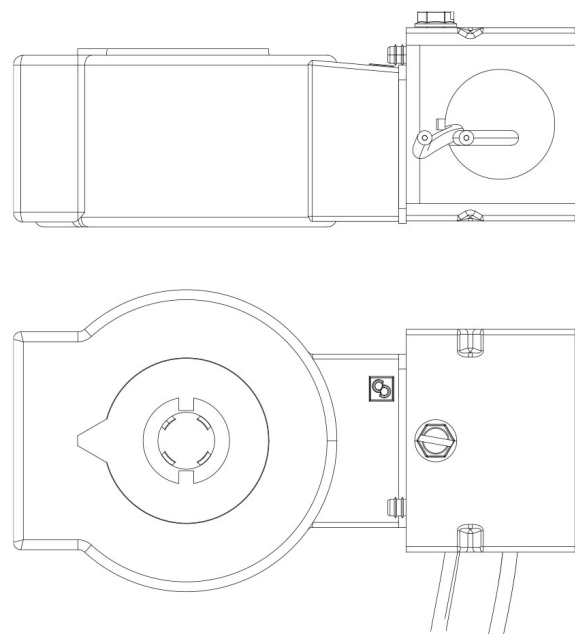


Product Code

9185/RA5

Coil Type CM3-N2 UL
208V 60Hz



Product use

Coils with the new ?FAST LOCK? fixing system, series 9320, and coils with gear fixing systems, series 9120 and 9121.

Fast-on connections type DIN 43650/A for coils in series 9120 and 9320; co-moulded cables for series 9121 coils.

Available voltages: 220/230 VAC - 50/60 Hz, 12 VDC, 24 VDC, 27 VDC, 48 VDC.

Connectors in series 9150, normalized DIN 43650, to wire, with IP65 protection rating. Connectors in series 9900, again normalized DIN 43650, pre-wired with various cable lengths, with IP65 protection rating.

Product Details

| | |
|-------------------------------------|---------------------------------|
| Coil Type (1) | CM3-N2 |
| Voltage [V] | 208 |
| Frequency [Hz] | 60 |
| Power [W] | 20 |
| Connectors Type | Junction box NEMA 2153mm cables |
| Connectors Protection degree | ~ IP 12-32 |
| Package Pcs. | 21 |

Notes where expressly stated

(1): coil with spare part G9150/R97 (yellow nut + black screw + OR)